

TECHNICAL SHEET

Technical characteristics of lighting produced by Estro srl

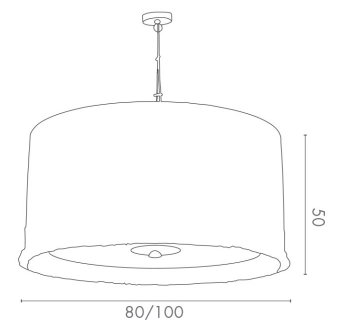
Type: LIGHTING ITEM
Model : **SATURN**
Article : **M303**
Installation : CEILING MOUNT
Rated Power : 6 X 60W
Rated voltage : 230-240 V
Frequency : 50 Hz
Light Source INCANDESCENT
ELECTRONIC FLUORESCENT
LED
Lamp Holder : E 27
Insulation class : 1
IP rating : IP 20

Description : CHANDELIER WITH MOUNTING BRACKET
FIXING AT CEILING
PAINTING METAL STRUCTURE WITH GLASS
DIFFUSER
FABRIC LAMPSHADE


Dimensions : HIGH cm 50
DIAMETER cm 80

Dimension Plate : ROUND Ø 80 mm

Maintenance : REPLACE THE LAMP WITH OTHER
IDENTICAL WATTAGE METAL CLEAN WITH A
DAMP CLOTH. DO NOT USE SOLVENTS



estro LUMINARA

 Questo dispositivo è compatibile con lampadine di classi energetiche:

This device is compatible with bulbs of the energy classes:

A++
A+
A
B
C
D
E

874/2012 