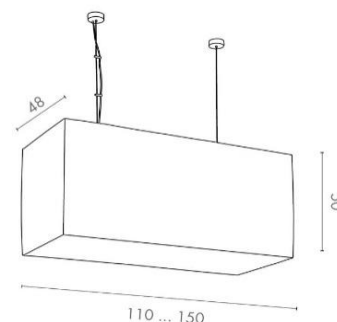



## TECHNICAL SHEET

Technical characteristics of lighting produced by Estro srl

Type:	LIGHTING ITEM		
Model :	<b>SATURN</b>		
Article :	<b>M167</b>		
Installation :	CEILING MOUNT		
Rated Power :	6 X 60W		
Rated voltage :	230-240 V		
Frequency :	50 Hz		
Light Source	INCANDESCENT ELECTRONIC FLUORESCENT LED		
Lamp Holder :	E 27		
Insulation class :	1		
IP rating :	IP 20		
Description :	CHANDELIER WITH MOUNTING BRACKET FIXING AT CEILING PAINTING METAL STRUCTURE WITH GLASS DIFFUSER FABRIC LAMPSHADE		
Dimensions :	HIGH	cm	50
	WIDTH	cm	110
	DEPTH	cm	48
Dimension Plate :	ROUND Ø 80 mm x 2 BASE		
Maintenance :	REPLACE THE LAMP WITH OTHER IDENTICAL WATTAGE METAL CLEAN WITH A DAMP CLOTH. DO NOT USE SOLVENTS		



**estro** LUMINARA

 Questo dispositivo è compatibile con lampadine di classi energetiche:

This device is compatible with bulbs of the energy classes:

A<sup>++</sup>

A<sup>+</sup>

A


B


C

D

E

}

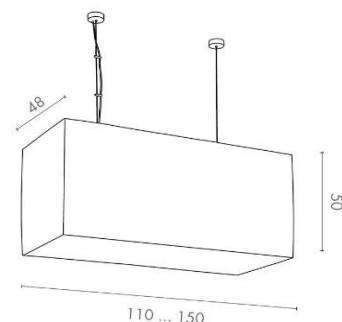


874/2012 


## TECHNICAL SHEET

Technical characteristics of lighting produced by Estro srl

Type:	LIGHTING ITEM		
Model :	<b>SATURN</b>		
Article :	<b>M168</b>		
Installation :	CEILING MOUNT		
Rated Power :	6 X 60W		
Rated voltage :	230-240 V		
Frequency :	50 Hz		
Light Source	INCANDESCENT ELECTRONIC FLUORESCENT LED		
Lamp Holder :	E 27		
Insulation class :	1		
IP rating :	IP 20		
Description :	CHANDELIER WITH MOUNTING BRACKET FIXING AT CEILING PAINTING METAL STRUCTURE WITH GLASS DIFFUSER FABRIC LAMPSHADE		
Dimensions :	HIGH	cm	50
	WIDTH	cm	150
	DEPTH	cm	48
Dimension Plate :	ROUND Ø 80 mm x 2 BASE		
Maintenance :	REPLACE THE LAMP WITH OTHER IDENTICAL WATTAGE METAL CLEAN WITH A DAMP CLOTH. DO NOT USE SOLVENTS		



**estro** LUMINARA

 Questo dispositivo è compatibile con lampadine di classi energetiche:

This device is compatible with bulbs of the energy classes:

A++  
A+  
A  
B  
C  
D  
E

874/2012 