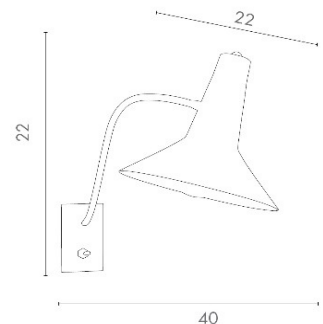



TECHNICAL SHEET

Technical characteristics of lighting produced by Estro srl

Type: LIGHTING ITEM
Model : **LIBRA**
Article : **M179**
Installation : WALL MOUNT
Rated Power : 1 X 40W
Rated voltage : 230-240 V
Frequency : 50 Hz
Light Source INCANDESCENT
FLUORESCENT ELECTRONIC
LED
Lamp Holder : E27
Insulation class : 1
IP rating : IP 20
Description : LAMP FOR WALL INSTALLATION
WALL MOUNTIN DRAWELS FIXING AT WALL
METAL LAMPSHADE
Dimensions : WIDTH cm 22
DEPTH cm 40
HIGH cm 22
Dimension Plate : RECTANGULAR 70 x 120 mm
Maintenance : REPLACE THE LAMP WITH OTHER
IDENTICAL WATTAGE METAL CLEAN WITH A
DAMP CLOTH. DO NOT USE SOLVENTS



estro LUMINARA

 Questo dispositivo è compatibile con lampadine di classi energetiche:

This device is compatible with bulbs of the energy classes:

A++
A+
A
B
C
D
E

874/2012 