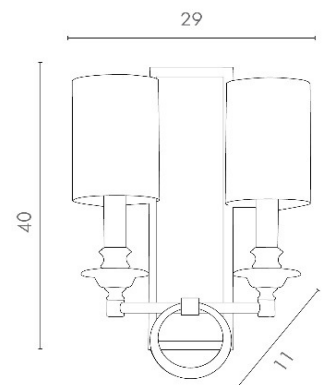



# TECHNICAL SHEET

Technical characteristics of lighting produced by Estro srl

Type: LIGHTING ITEM  
Model : **JULIETTE**  
Article : **813**  
Installation : WALL MOUNT  
Rated Power : 2 X MAX 60W  
Rated voltage : 230-240 V  
Frequency : 50 Hz  
Light Source INCANDESCENT  
ELECTRONIC FLUORESCENT  
LED  
Lamp Holder : E 14  
Insulation class : 1  
IP rating : IP 20  
  
Description : LAMP FOR WALL INSTALLATION  
MOUNTING BRACKET FOR FIXING AT WALL.  
STRUCTURE IN BRASS  
METAL LAMPSHADES  
  
Dimensions :  
WIDTH cm 29  
DEPTH cm 11  
HIGH cm 40  
  
Dimension Plate : RECTANGULAR PLATE 100 x 360 mm  
  
Maintenance : REPLACE THE LAMP WITH OTHER  
IDENTICAL WATTAGE METAL CLEAN WITH A  
DAMP CLOTH. DO NOT USE SOLVENTS



**estro** LUMINARA

 Questo dispositivo è compatibile con lampadine di classi energetiche:

This device is compatible with bulbs of the energy classes:

A++  
A+  
A  
B  
C  
D  
E

874/2012 